

# CMS 2000

## Grid Interactive Inverter

5 Year Standard Warranty (Optional 10 Year)



### Reliable and Efficient

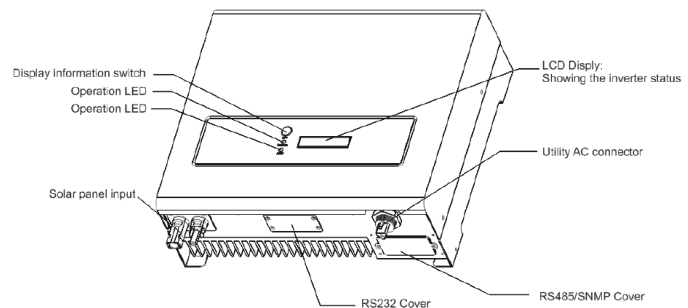
The CMS-2000 is an DC/AC inverter designed specifically for solar grid feed installations. It was designed to be both reliable and highly efficient.

The CMS-2000 is a true sine wave inverter, operating from a PV solar array power source (DC) and generates 240VAC, 50Hz current output for direct connection to the power grid.

The CMS-2000 is proven to be an excellent PV inverter and as such is able to convert the maximum power from any PV panel (MPPT). Due to its advanced design the CMS-2000 inverter can track the maximum power from your PV array in any condition.

The CMS-2000 complies with AS4777, AS3100 and C Tick.

|                       |                          |
|-----------------------|--------------------------|
| Nominal AC power      | 2000W                    |
| Max. AC power         | 2200W                    |
| Max. open DCV         | 500VDC                   |
| Working range         | 100 to 500VDC            |
| Max. input current    | 10ADC                    |
| Operating temperature | -20 to 55°C              |
| Current distortion    | <3%                      |
| Power consumption     | ~7W                      |
| Acoustic noise        | <35dBA                   |
| Humidity              | 0 to 95%, non-condensing |
| WxDxH (mm)            | 350*302*120              |
| Weight (kg)           | 11.3                     |



#### Product Features Include:

- Very high conversion efficiency (>96%)
- MPPT (Maximum Power Point Tracking)
- Higher power capacity than similar products of the same size
- Embedded LCD display showing complete status information
- Natural convection cooling. Quiet, fan-less design
- Compact, small profile
- High reliability, and Easy to install
- Maintenance free
- Standard RS-232, optional RS-485
- Weather proof enclosure available
- AS4777, AS3100 and C Tick
- Certificate of Suitability SAA080085

Freecall: **1300 794 110**

Phone: +61(0)2 47 593922

Fax: +61(0)2 47 593927